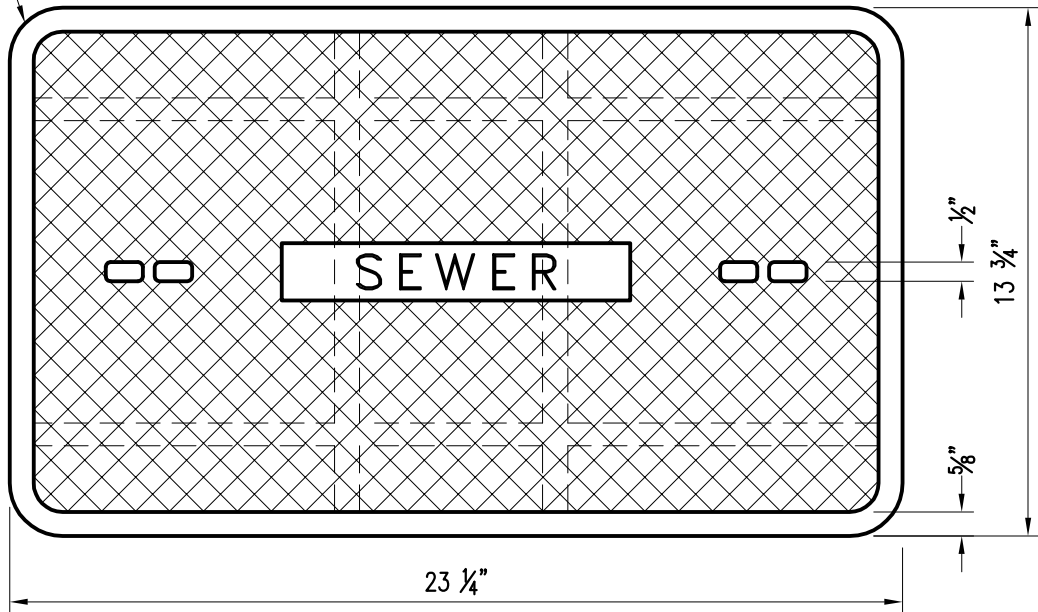
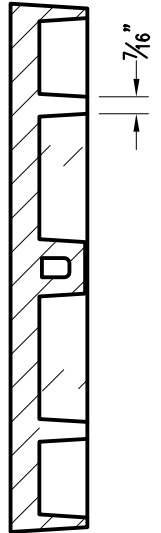


R. 1  $\frac{3}{8}$ "



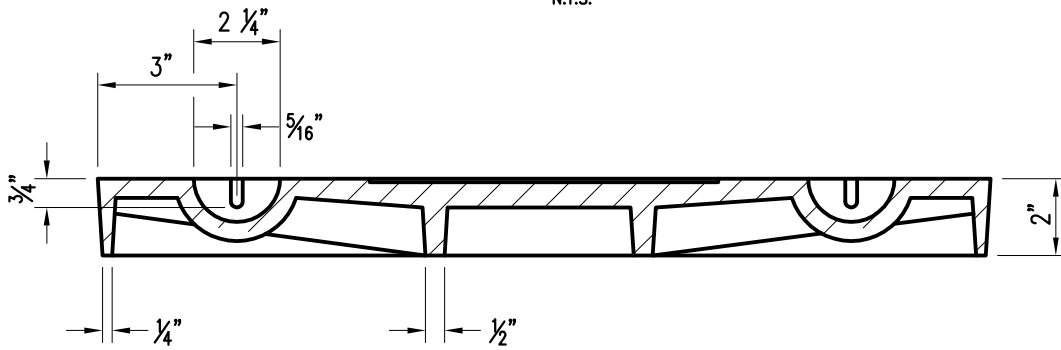
**TOP VIEW**

N.T.S.



**SIDE VIEW**

N.T.S.



**FRONT SECTION**

N.T.S.

**NOTES:**

1. CAST IRON LID TO BE A MODIFIED VERSION OF USF No. 7715 (OR EQUIVALENT) WITHOUT BOLT HOLES, MARKED "SEWER" AND A.D.A. COMPLIANT FOR USE IN SIDEWALKS.  
LID WT.: APPROX. 55 LBS.

WYE BRANCH CONNECTION	SS 1.0	
ITEM	CROSS REF.	SPEC. REF.



ISSUE DATE	APPROVED BY
01/14/2010	V.F.C.

STANDARD DETAIL  
**SANITARY SEWER  
 CLEAN-OUT LID DETAIL**

**SS  
 22.0**  
 SHEET 1 OF 2