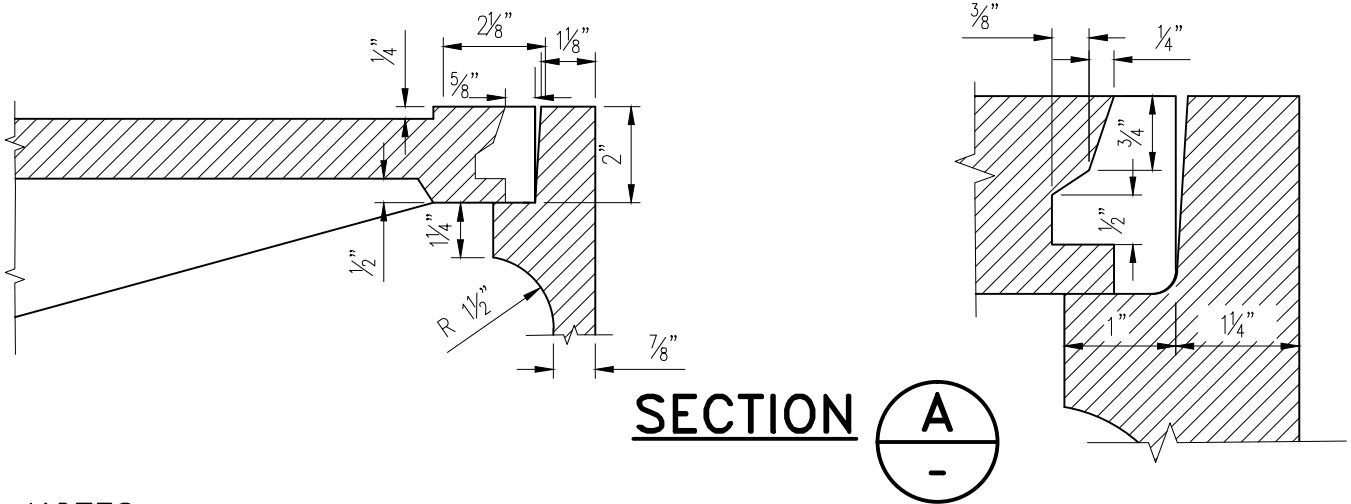


**PLAN**

SCALE: N.T.S.



**SECTION A**

**NOTES:**

1. LETTERS ON COVER TO BE ARRANGED WITH A RADIUS OF 6 1/2" TO CENTER OF LETTERS.
2. EACH LETTER TO BE 2" LONG, 3/8" DEEP, 1/4" TO 5/16" THICK, AND FLUSH WITH TOP OF BEADS.
3. BEADS TO BE 3/8" HIGH WITH A RADIUS OF 1/2" AT BOTTOM AND 3/8" AT TOP.
4. ALL BEARING SURFACES TO BE MACHINED (IRON TO IRON).
5. MIN. WEIGHTS  
COVER: 107 LBS  
FRAME: 259 LBS.

ITEM	CROSS REF.	SPEC. REF.



ISSUE DATE	APPROVED BY
6/01/2015	J.F.

STANDARD DETAIL  
TYPE "A" MANHOLE  
COVER & FRAME

SS  
4.0  
SHEET 1 OF 2