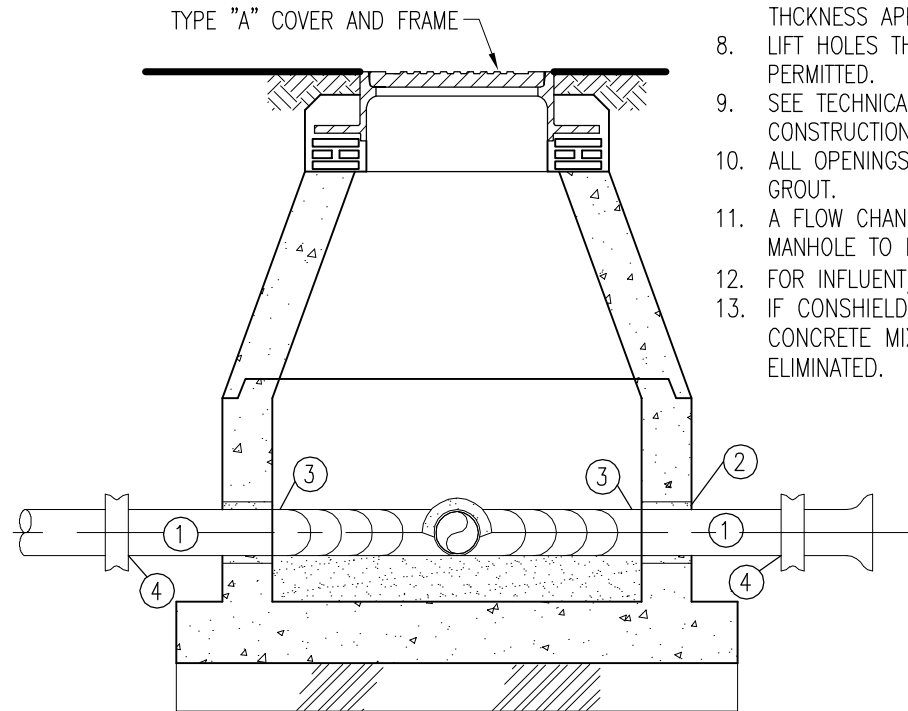


**NOTES:**

1. FOR NUMBER REFERENCES SEE SS 7.0.
2. CONSTRUCT FLOW CHANNELS AS PER SS 10.0
3. OPENING SIZE TO BE OF THE PIPE OD + 4"
4. D.I. PIPE CAN NOT EXTEND MORE THAN A MAX. OF 3" BEYOND INSIDE WALL AND MUST BE FEATHERED TO THE WALL WITH CEMENT. P.V.C. PIPE SHALL BE FLUSH WITH INSIDE WALL OF MANHOLE.
5. APPROVED GASKET.
6. FOR REINFORCING STEEL SEE SS 6.0
7. CONCRETE TO BE SEAL COATED INSIDE WITH 16 MIL. THCKNESS APPROVED COATING/LINER.
8. LIFT HOLES THROUGH PRECAST STRUCTURE ARE NOT PERMITTED.
9. SEE TECHNICAL SPECIFICATIONS FOR PLACEMENT OF CONSTRUCTION JOINTS & REQUIRED ACCESSORIES.
10. ALL OPENINGS SHALL BE SEALED WITH NON-SHRINK GROUT.
11. A FLOW CHANNEL SHALL BE CONSTRUCTED INSIDE MANHOLE TO DIRECT INFLUENT INTO FLOW STREAM.
12. FOR INFLUENT/EFFLUENT PIPING ARRANGEMENT SEE SS 7.0
13. IF CONSHIELD ANTI-MICROBIAL AGENT IS USED IN THE CONCRETE MIXTURE, COATINGS AND LINERS CAN BE ELIMINATED.



PIPING	SS 7.0	
PIPE CONN.	SS 6.0	
FLOW PATTERNS	SS 10.0	
MANHOLE COVER	SS 4.0	
ITEM	CROSS REF.	SPEC. REF.

ISSUE DATE	APPROVED BY
04/13/2009	V.F.C.