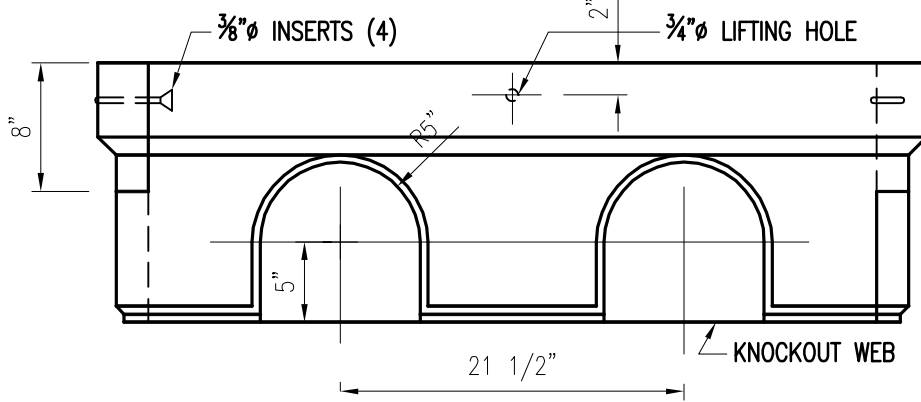


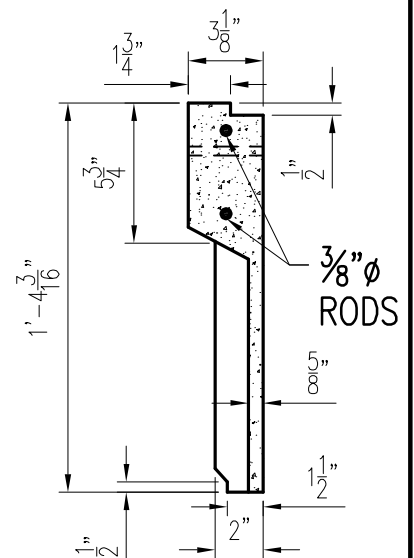
PLAN A

SIDE VIEW

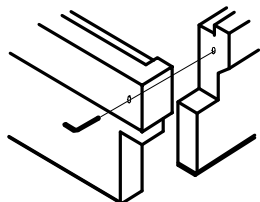
NOTE: VAULT COVER TO BE TWO (2) STANDARD 2' x 4' STEEL COVERS FOR NON-TRAFFIC VAULT (SEE DRAWING WS 2.17, 3 OF 4)



END VIEW



SECTION A-A



CORNER JOINT ASSEMBLY

| | | |
|----------------------|------------|------------|
| 2' x 4' STEEL COVERS | WS 2.17 | |
| XXXXX | | |
| ITEM | CROSS REF. | SPEC. REF. |



| | |
|------------|-------------|
| ISSUE DATE | APPROVED BY |
| 11/01/2006 | V. E. F. |
| | |
| | |

STANDARD DETAIL
4' x 4' PRECAST METER VAULT FOR NON TRAFFIC AREAS

WS 2.20
 SHEET 1 OF 2