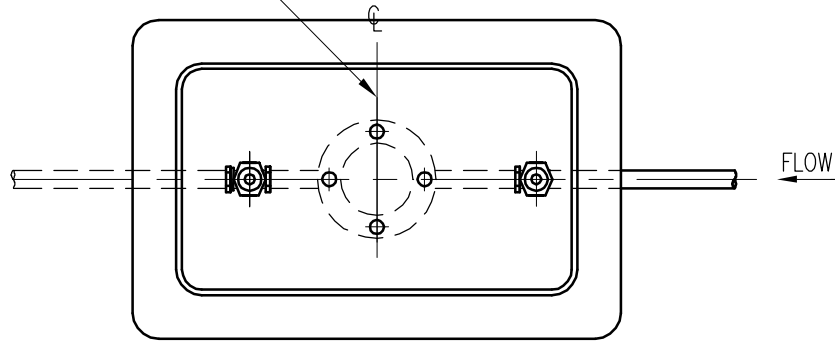
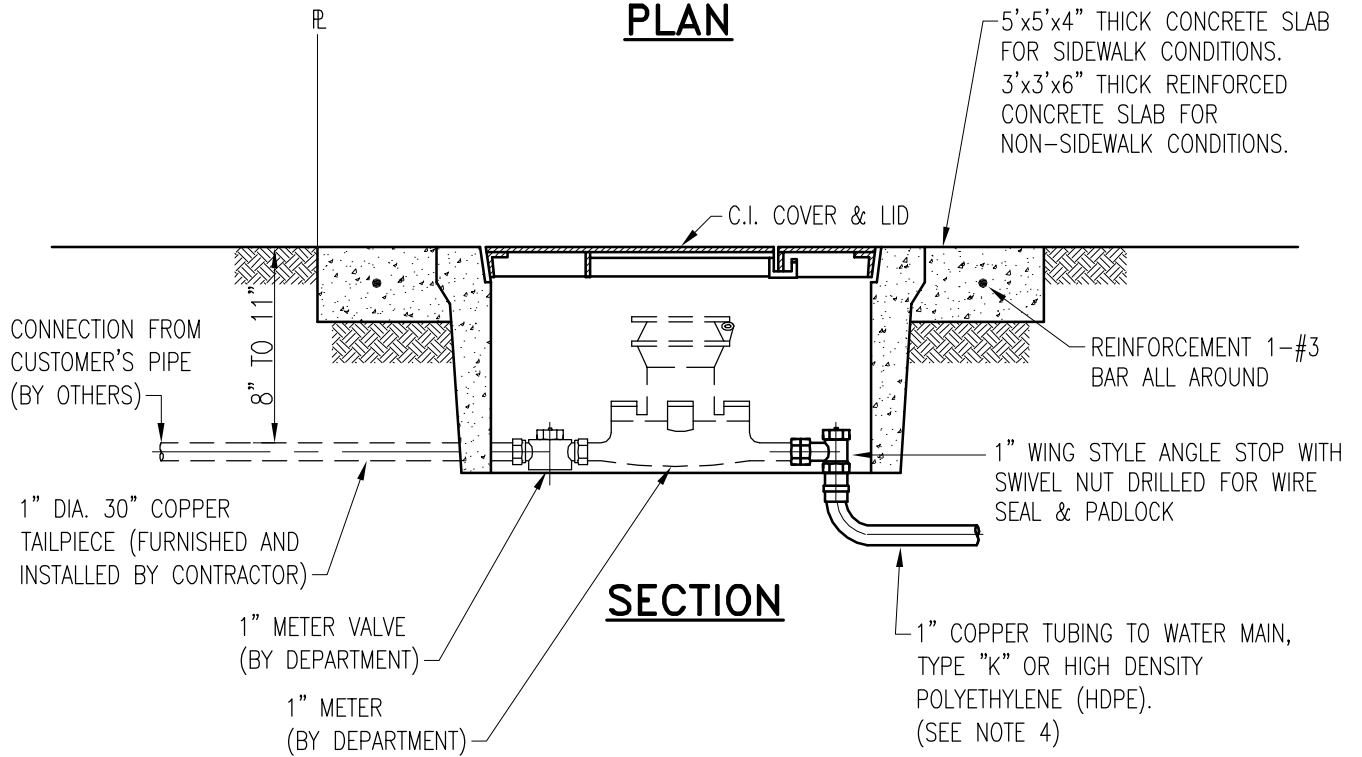


METER SHALL BE ALIGNED WITH  $\text{C}$   
OF METER BOX AS SHOWN. (TYP.)



**PLAN**



**SECTION**

**NOTES:**

1. SEE SHEET 1 OF 3 FOR DETAILS.
2. USE SINGLE METER BOX.
3. CONCRETE SLAB REINFORCEMENT SHALL HAVE 1-#3 BAR ALL AROUND.
4. USE 1" BLUE COLOR HDPE OR 1" COPPER TUBING FOR POTABLE WATER SERVICE. USE ONLY 1" PURPLE COLOR HDPE (NO COPPER ALLOWED) FOR RECLAIMED WATER SERVICE.
5. METERS WILL NOT BE INSTALLED IF THE METER BOX IS IN A DRIVING SURFACE.
6. WHEN USING 1" HDPE SERVICE, A TEN GAUGE BLUE (PURPLE FOR RECLAIMED WATER) DIRECT BURY STANDARD COPPER TRACE WIRE IS TO BE TAPED CONTINUOUSLY WITH POLY OR DUCT TAPE TO THE SERVICE FOR LOCATION PURPOSES. WIRE MUST BE ATTACHED TO WATER MAIN AND EXTEND INTO WATER METER.
7. ALL SPACER TUBES AND TAILPIECES SHALL BE FURNISHED AND INSTALLED BY CONTRACTOR.
8. REPAIRS TO SLAB AND METER ARE PROHIBITED.

|                       |            |            |
|-----------------------|------------|------------|
| 1" SERVICE CONNECTION | WS 4.11    |            |
| TYPICAL SERVICE PLAN  | WS 4.10    |            |
|                       |            |            |
| ITEM                  | CROSS REF. | SPEC. REF. |



|            |             |
|------------|-------------|
| ISSUE DATE | APPROVED BY |
| 06/01/2008 | V.F.C.      |
|            |             |
|            |             |

STANDARD DETAIL  
SINGLE METER BOX  
FOR  
MULTI-STORY BUILDING

WS  
2.10  
SHEET 3 OF 3