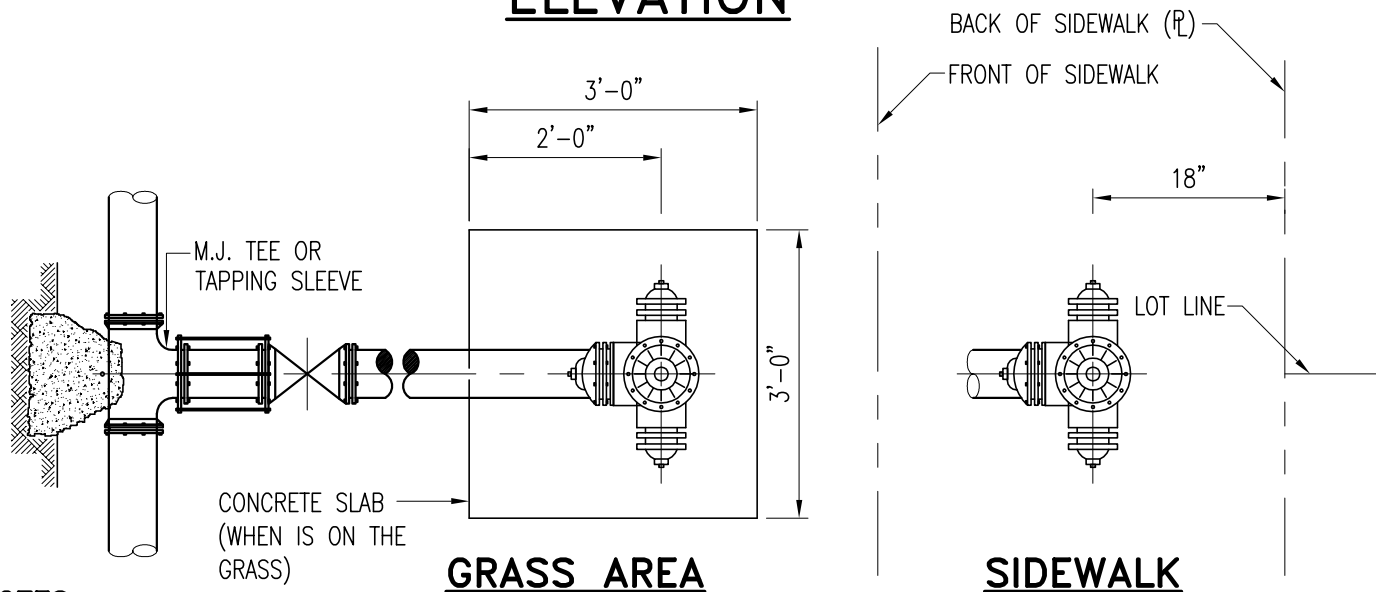


**ELEVATION**



**GRASS AREA**

**SIDEWALK**

**PLAN**

**NOTES:**

1. FIRE HYDRANTS SHALL NOT BE LOCATED WITHIN A RADIUS.
2. 1' FROM FACE OF CURB ONLY ON 4' SIDEWALKS FOR ADA.
3. IN F.D.O.T. R/W ONLY USE PLASTIC SURFACE MOUNTED DELINEATOR POST INSTALLED WITH EPOXY ADHESIVE.

ITEM	CROSS REF.	SPEC. REF.



ISSUE DATE	APPROVED BY
02/25/2013	V.F.C.

STANDARD DETAIL  
 TYPICAL FIRE HYDRANT  
 INSTALLATION IN F.D.O.T.  
 RIGHT OF WAY

WS  
 4.50  
 SHEET 2 OF 2