

PUMP STATION No. 0000
FACILITY OFFICIAL ADDRESS, FLORIDA 33100-0000

DRY WELL/ WET WELL SEWAGE PUMP STATION
 2012 WASD DESIGN STANDARD

10'x10' DRY WELL W/ 8' WET WELL
 STRUCTURAL PLAN, SECTIONS AND DETAILS

DRAWING HISTORY

RELEASED FOR	DATE	BY
REVIEW 30%		
REVIEW 70%		
REVIEW 100%		
PERMIT		

REVISIONS

No.	DESCRIPTION	DATE	BY

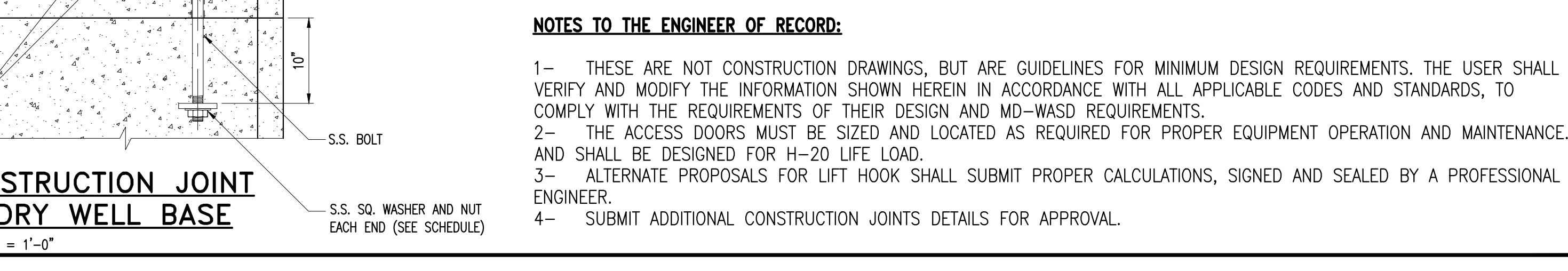
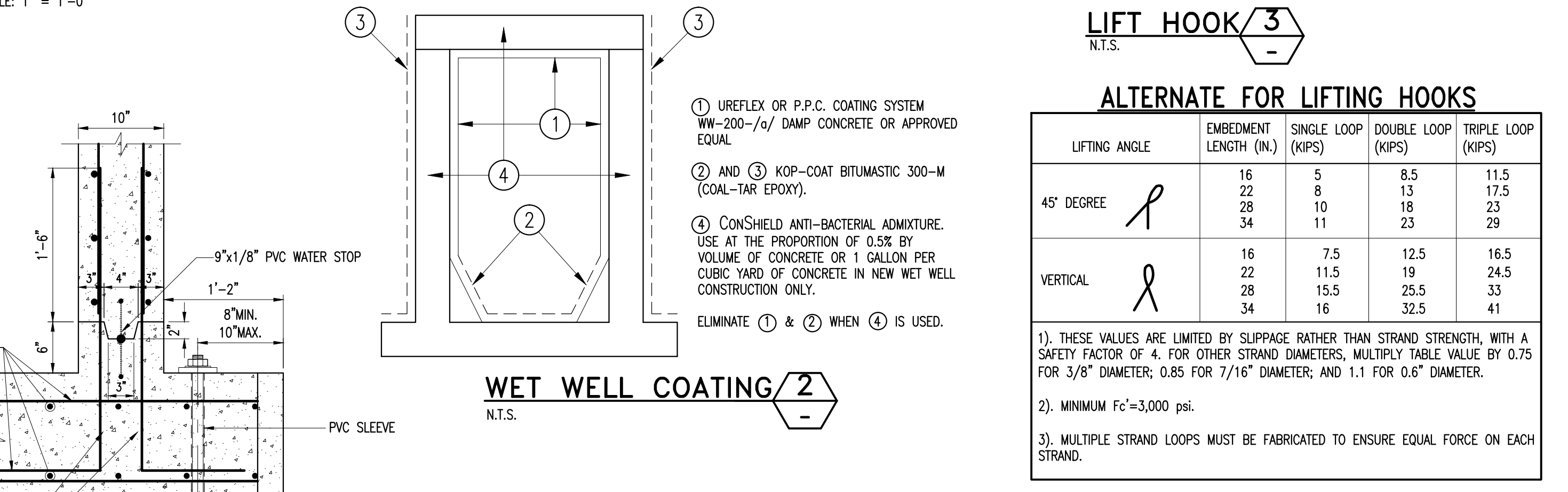
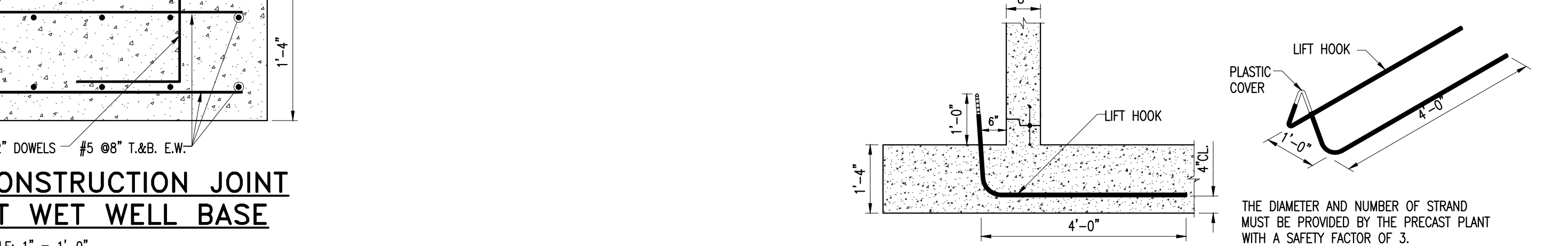
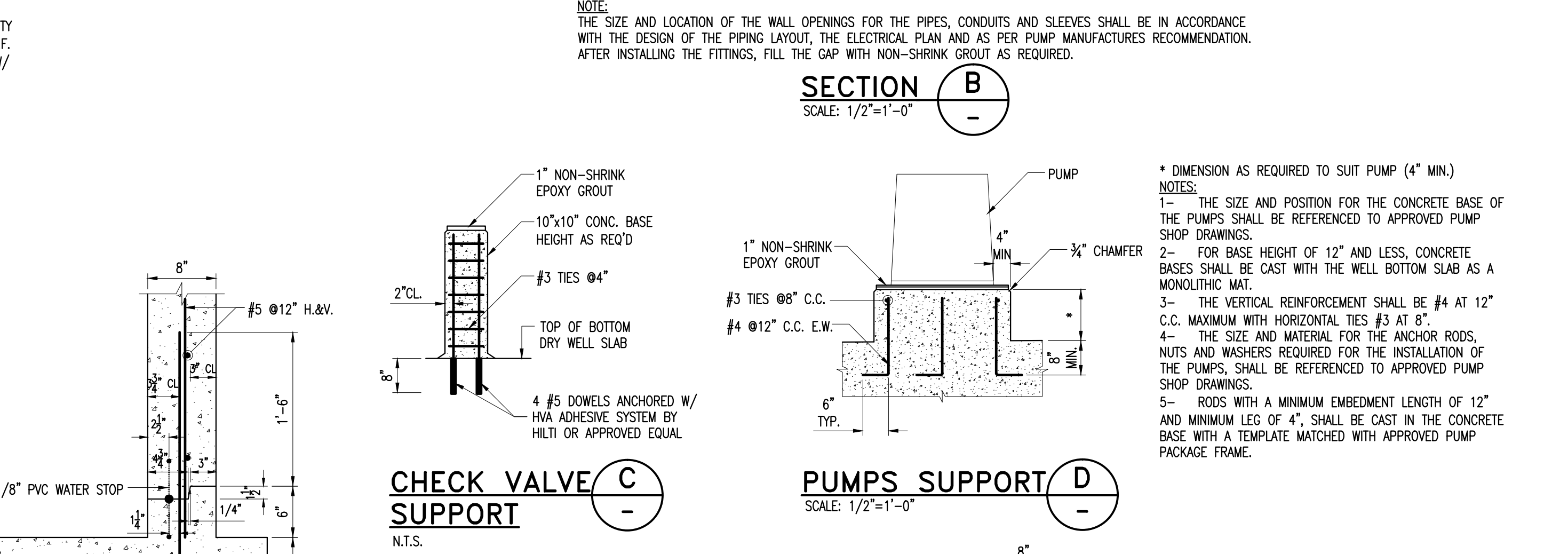
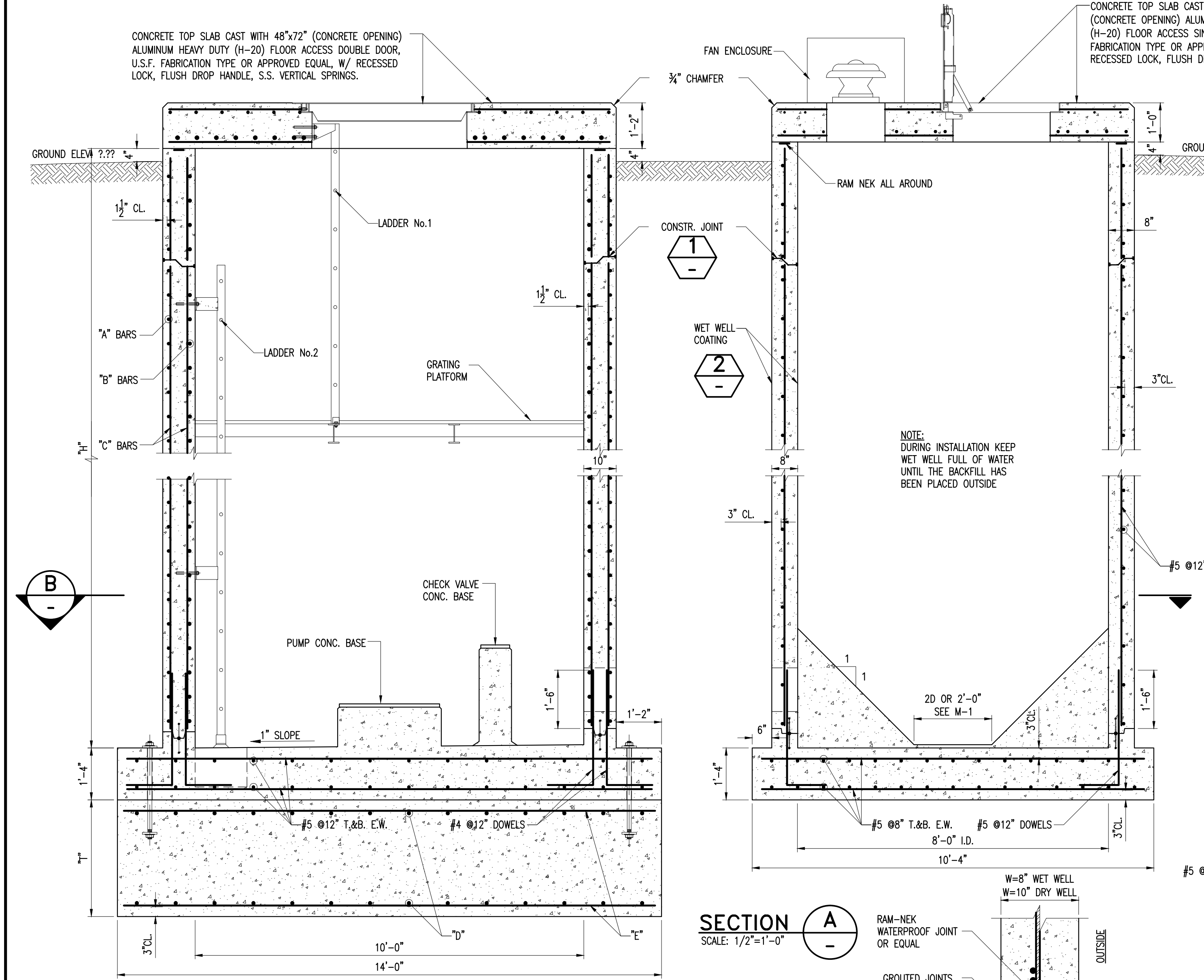
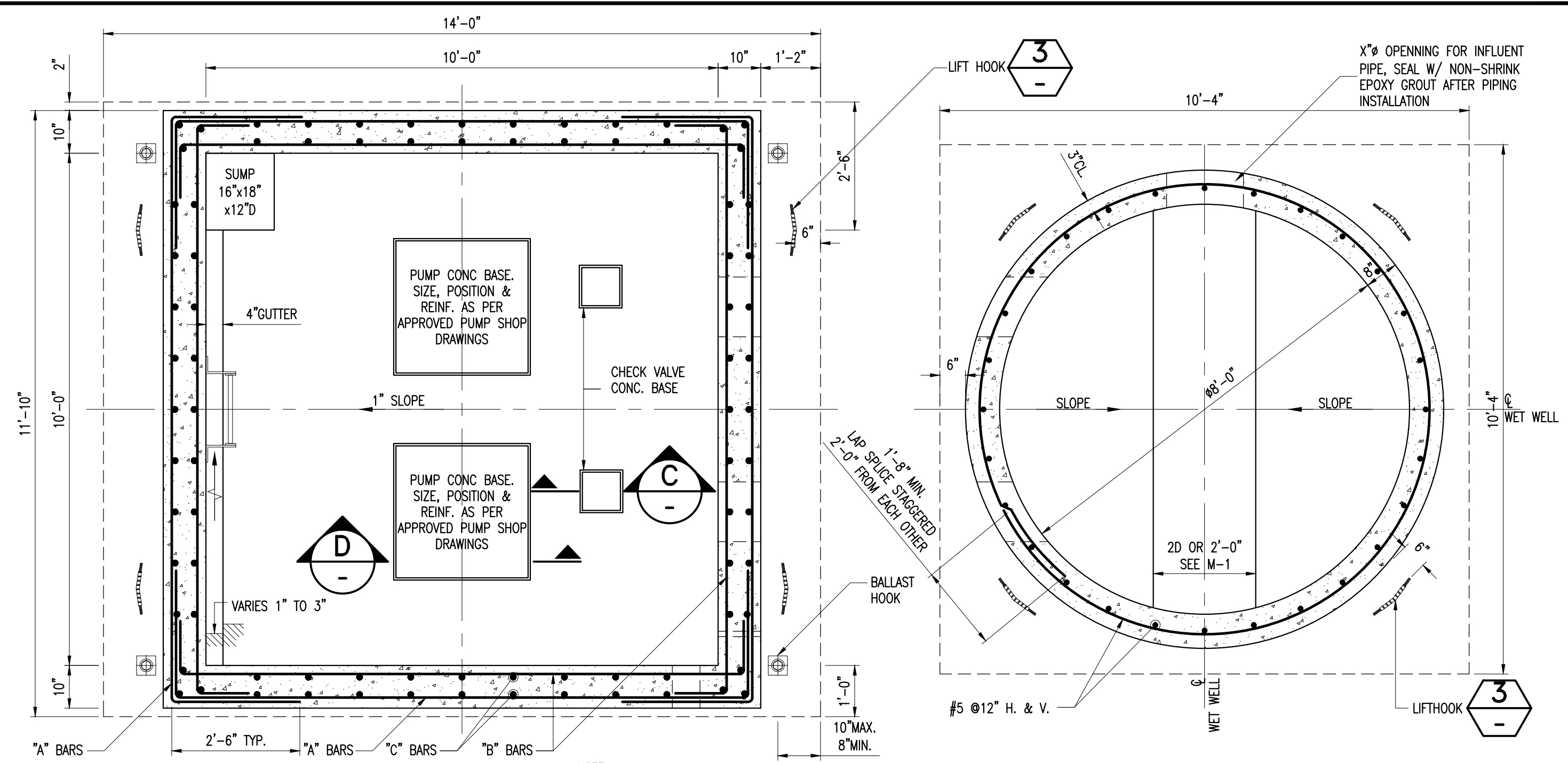
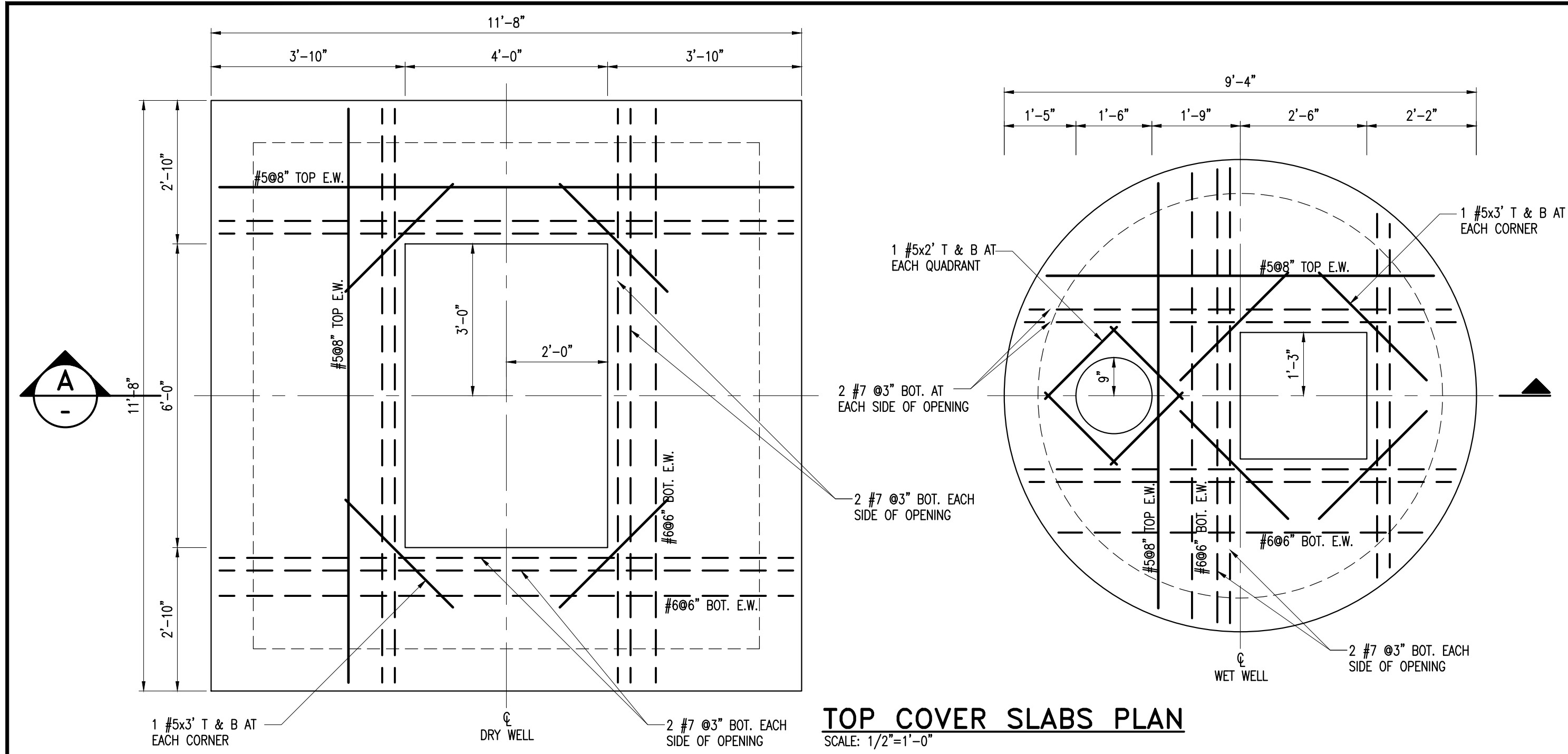
APPROVALS

CHIEF ENGINEER: _____
 SECTION HEAD: _____
 PROJECT MGR.: _____
 DESIGNED: X.X.X. CHECKED: X.X.X.
 DRAWN: X.X.X. FINAL CHECK: X.X.X.

XXXXXXXX XXXXX, P.E.
 XXXXXXXXXXXX Engineer
 State of Florida - License No. 00000
 Date: _____

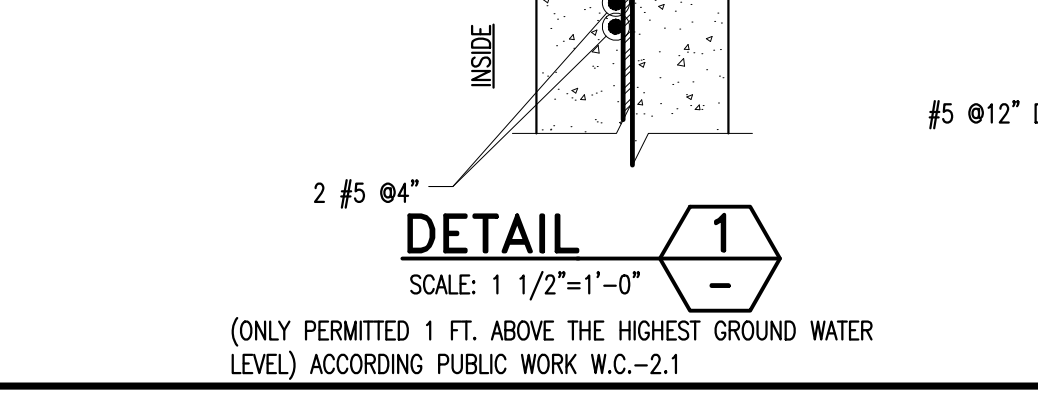
ER No. : S000000 PCTS No. : 00000
 FILE NAME: 00000S02.DWG
 DATE: AUG. 28, 2012 SCALE: AS NOTED

SHEET **S-2**
 DWG. No. **S-00000-A**



10'x10' DRY WELL STANDARD/REINFORCING SCHEDULE

"H" HEIGHT	DRY WELL WALLS			DRY WELL BALLAST SLAB		DRY WELL HOOKS	
	HORIZONTAL REINFORCEMENT	VERTICAL REINFORCEMENT	"T" SLAB THICKNESS	"D" BARS	"E" BARS	BOLT	PLATE
UP TO 15'-0"	#5 x16'-6" @ 14"	#5 x13'-0" @ 9"	1'-6"	#5 @ 12"	#5 @ 12"	3/4"	2-1/2" x2-1/2" x5/8"
15'-0" TO 20'-0"	#5 x16'-6" @ 9"	#6 x13'-0" @ 9"	2'-6"	#5 @ 12"	#5 @ 12"	1"	3-3/4" x3-3/4" x5/8"
20'-0" TO 24'-0"	#5 x16'-3" @ 7-1/2"	#6 x13'-0" @ 7-1/2"	3'-0"	#6 @ 12"	#6 @ 12"	1-1/4"	4-1/2" x4-1/2" x5/8"



NOTES TO THE ENGINEER OF RECORD:

- THESE ARE NOT CONSTRUCTION DRAWINGS, BUT ARE GUIDELINES FOR MINIMUM DESIGN REQUIREMENTS. THE USER SHALL VERIFY AND MODIFY THE INFORMATION SHOWN HEREIN IN ACCORDANCE WITH ALL APPLICABLE CODES AND STANDARDS, TO COMPLY WITH THE REQUIREMENTS OF THEIR DESIGN AND MD-WASD REQUIREMENTS.
- THE ACCESS DOORS MUST BE SIZED AND LOCATED AS REQUIRED FOR PROPER EQUIPMENT OPERATION AND MAINTENANCE. AND SHALL BE DESIGNED FOR H-20 LIFE LOAD.
- ALTERNATE PROPOSALS FOR LIFT HOOK SHALL SUBMIT PROPER CALCULATIONS, SIGNED AND SEALED BY A PROFESSIONAL ENGINEER.
- SUBMIT ADDITIONAL CONSTRUCTION JOINTS DETAILS FOR APPROVAL.