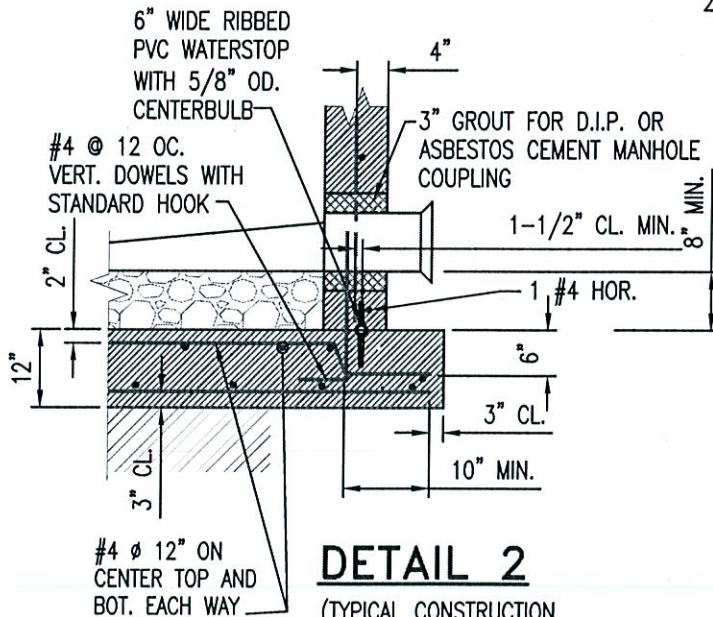


(ONLY PERMITTED 1 FT. ABOVE THE HIGHEST GROUND WATER TABLE ACCORDING TO PUBLIC WORK WC.-2.1)

DETAIL 1

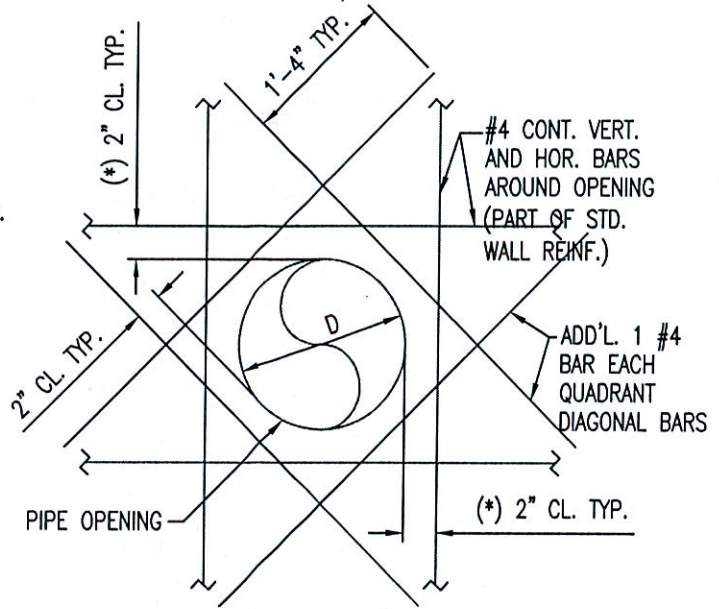
(KEYWAY JOINT DETAIL)

NOTE: NOT REQUIRED FOR MONOLITHIC POUR OF LOWER WALL WITH CONE/CORBEL



DETAIL 2

(TYPICAL CONSTRUCTION JOINT DETAIL AT 12" THK. BASE SLAB WITH PVC WATERSTOP)



DETAIL 3

(TYPICAL ADDITIONAL WALL REINFORCING AROUND HOLE OPENINGS) (ROUND OR SQUARE)

(* ANY VERT. OR HOR. BAR AT MORE THAN 3" AWAY FROM EDGE OF OPENING SHALL HAVE ADD'L. 1 #4 BAR WITH LENGTH = (D+36") PLACED AT 2" CL. FROM OPENING

SHALLOW MANHOLE	SS 7.0	
FLOW PATTERNS	SS 6.1	
MANHOLE COVER	SS 4.0	
ITEM	CROSS REF.	SPEC. REF.